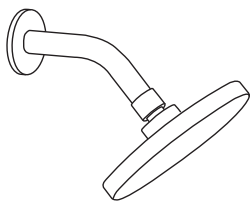


INSTALLATION MANUAL

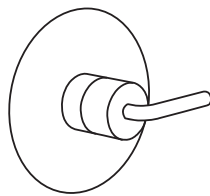
SHOWER HEAD & FAUCET

ROUND

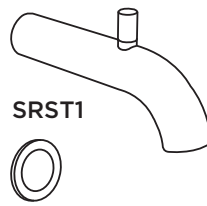
ALL PRODUCTS ARE
COMPATIBLE WITH DELTA.



SRHS1



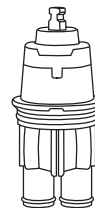
SRTS1



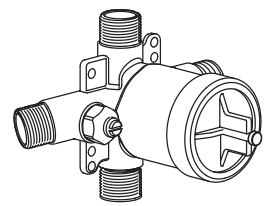
SRST1



SRSTFL1



SRCA



SRRS



PRESSURE BALANCE VALVE TRIM INSTALLATION



FOR EASY INSTALLATION OF YOUR FAUCET YOU WILL NEED:
To **READ ALL** the instructions, warnings, care and maintenance information completely before beginning.



For best results, We recommends that this unit be installed by a licensed, professional plumber. Please read over these instructions thoroughly before beginning installation. Make sure that you have all tools and supplies needed to complete the installation. To prevent scald injury, the maximum output temperature of the shower valve must be no higher than 120°F.

- We reserves the right to change, update, modify, alter, redesign this manual/product or its policies without prior notice!
- It is your responsibility to visit the website to download or contact customer service for the most updated version of the installation instructions.
- We shall not be liable for any injuries or property damages in connection with this product during installation or use of this product!

NOTES:

- Limited warranty is void on any commercial installation.
- We are not responsible for local code compliance for this product.
- Building and plumbing codes may vary from state-to-state in accordance to your location.
- We are not responsible for providing any compliance certifications.
- We are not responsible to provide any type of certifications for this product.
- Under no circumstances we shall not be liable for any and all incidental damages sustained in connection with this product Neither manufacture, nor distributor, nor retailer is responsible for water damage or flood caused due to use of this product.
- Under no circumstances We shall not be liable for any and all fees, cost defect. of installation/re-installation/removal, subsequent damage or transportation in case of the product defect.

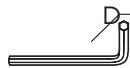
REQUIRED TOOLS



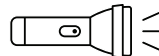
SAFETY GOGGLES



PHILLIPS SCREWDRIVER



ALLEN KEY



FLASHLIGHT



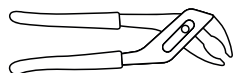
DRAIN PLUG



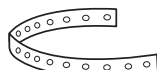
DRAIN COLLAR



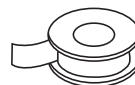
WRENCH



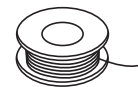
PIPE WRENCH



HOLE STRAP



TEFLON TAPE



SOLDER WIRE

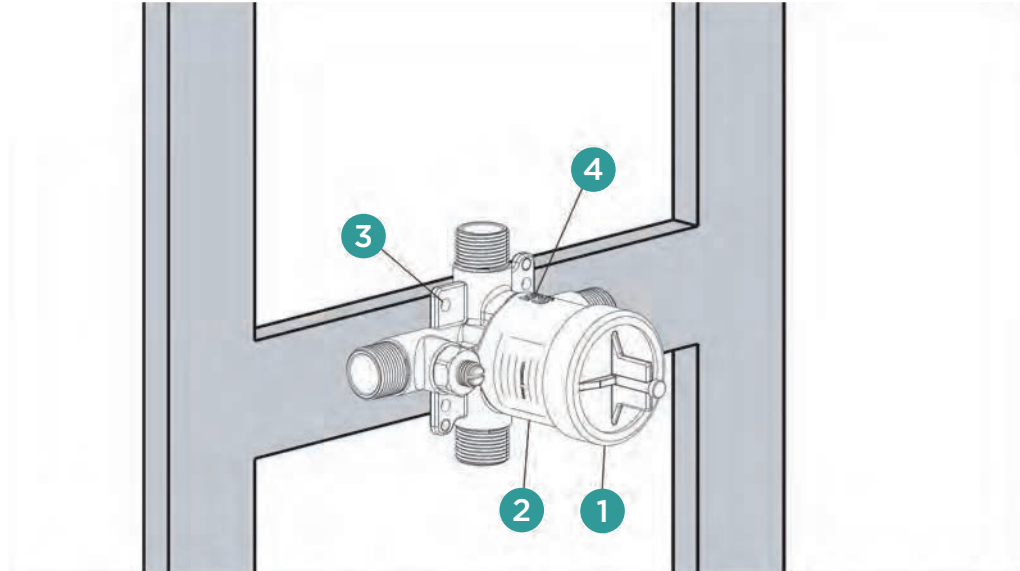


BLOWTORCH



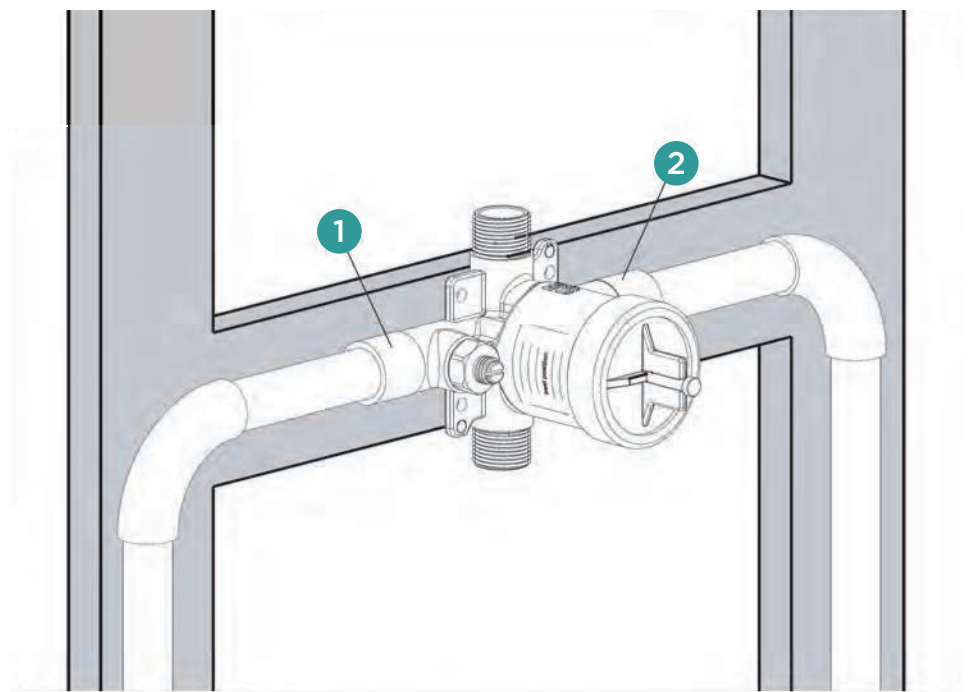
1. INSTALL BODY

A



Close water supply. Install the valve body to ensure that the wall thickness can be buried into the depth of the valve. Install the body using the four mounting holes (4) on the body. When installing, make sure the "UP" (5) is facing upward

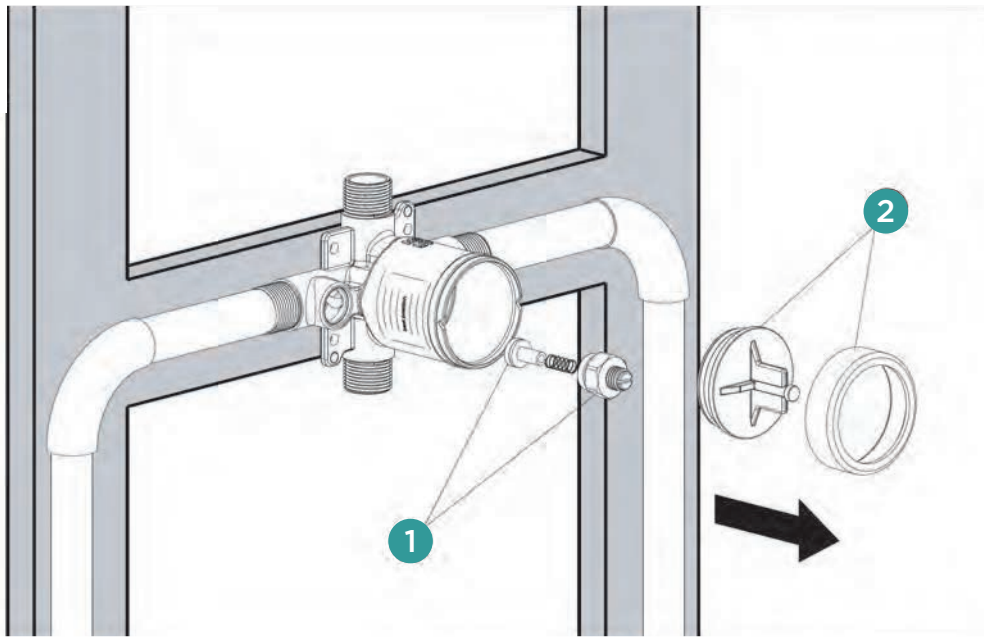
B



Assemble the body into the water supply system with appropriate fittings. ① is hot water inlet, ② is cold water inlet

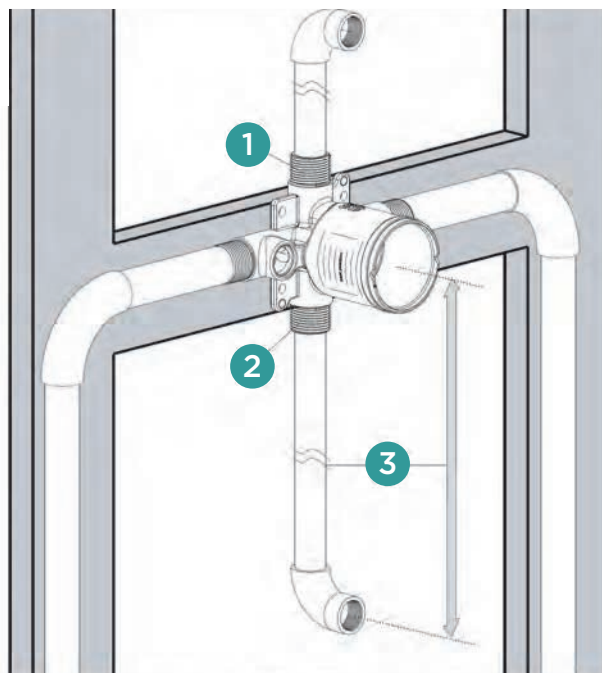


C



Remove the on/off check valve assembly ① and seal assembly ② if welding connection is required.
Note: Avoid welding under high temperature conditions. It is possible to damage the corresponding parts.

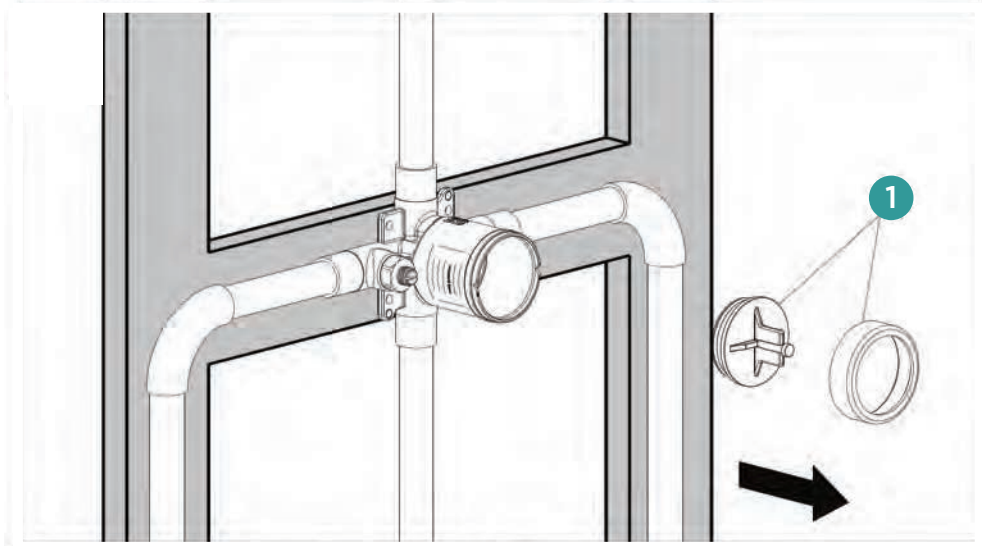
D



Connect the shower outlet (1) and bath outlet (2) with the appropriate fittings. The inside diameter of the pipe (3) between the valve outlet and bathtub must be at least 1/2"(13 mm) and not less than 8"(203mm) in length but not more than 18"(457 mm)



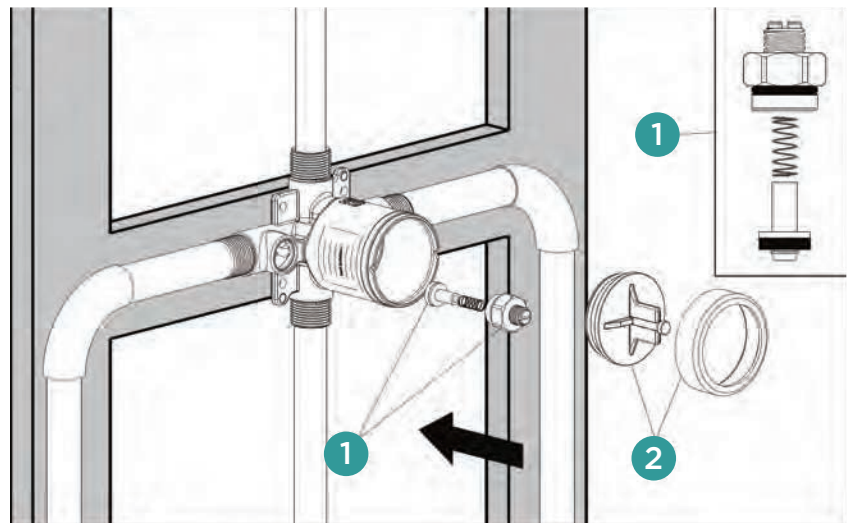
E



For valve bodies using non-welded connections

1. Please remove seal assembly (1). Prepare the area to spray. Turn on the water supply slowly and clean system 30s.
2. Install the seal assembly to the body after flushing.
3. Block the bathtub outlet and shower outlet with a suitable plug and test the pipeline for leaks.
4. After the test, turn the adjusting nut of the on/off check valve clockwise with a straight spanner to close the valve.

F

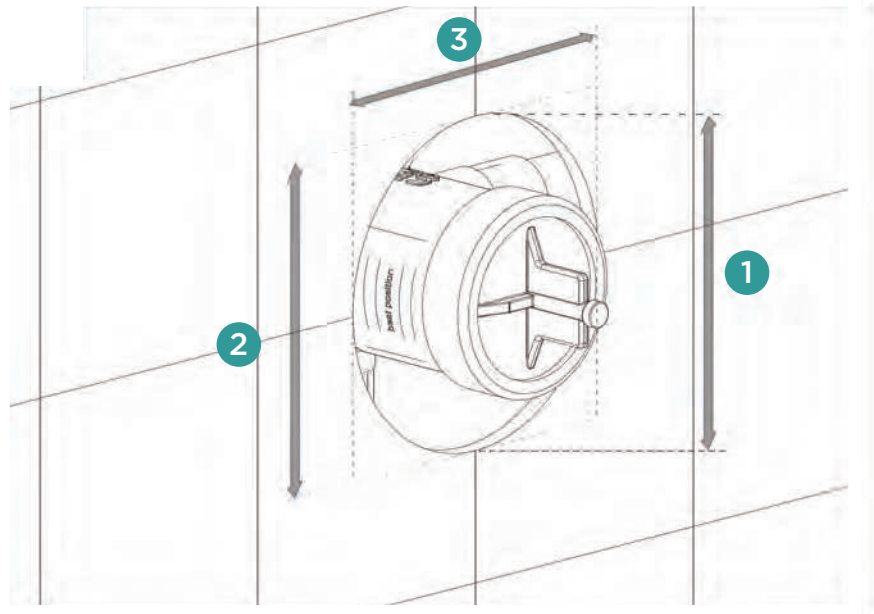


1. For valve body with welded connections

- 2.1. Turn on the water supply slowly and clean the system for 30 seconds
- 3.2. Install the on/off check valve assembly (1) on the valve body with a wrench according to the picture, and then put the seal Assembly (2) to the body
- 4.3. Block the bathtub outlet and shower outlet with a suitable plug and test the pipeline for leaks.
- 5.4. After the test, turn the adjusting nut of the on/off check valve clockwise with a straight spanner to close the water system.



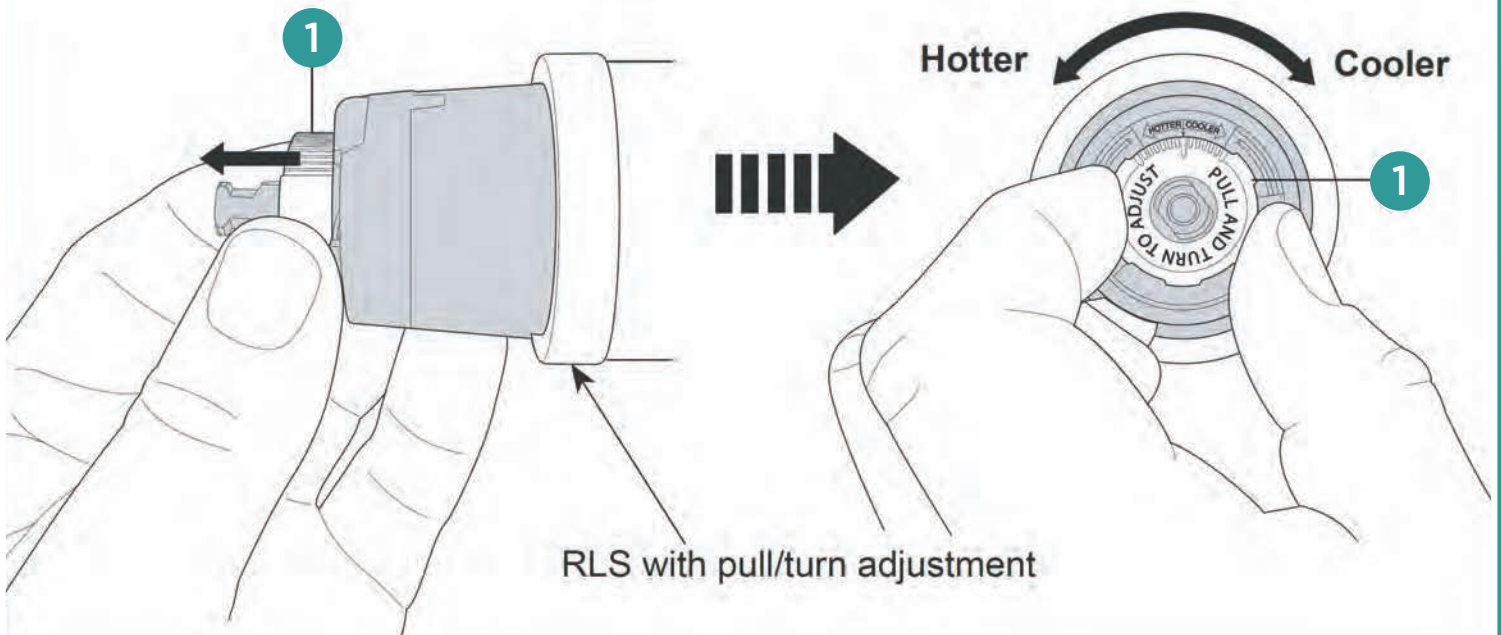
G



Seal up the wall with tile

Lay the tiles. Please note the diameter of the rounded tile is at least 3.2"(80mm), and not more than 5.5"(140mm), or the size (2) of rectangle is not less than 2.6"(75mm) and not more than 3.9"(100mm), the length (3) is not less than 3.2"(80mm) and not more than 4.7"(120mm)

2. ADJUSTING THE ROTATIONAL LIMIT STOP





IMPORTANT:

The Rotational Limit Stop is used to limit the amount of hot water available such that, if set properly, a scald injury is less likely to occur if the handle accidentally is rotated all the way to “hot” when a person is showering or filling a tub. The first position allows the **LEAST** amount of hot water to mix with the cold water in the system. In the first position the water will be the coldest possible when the handle is turned all the way to hot. As you move the Rotational Limit Stop counterclockwise, you progressively add more and more hot water in the mix. The last position to the left will result in the greatest amount of hot water to the mix, and the greatest risk of scald injury if someone accidentally turns the valve handle all the way to the hot side while showering.

WARNING: In some instances, setting the Rotational Limit Stop in the hottest position (full counterclockwise) could result in scald injury. It is necessary to adjust the Rotational Limit Stop so that the water coming out of the valve will not scald the user when the handle of the valve is rotated to the hot side.

- According to the majority of industry standards, the maximum allowable temperature of the water exiting the valve is 120°F (Your local plumbing codes may require a water temperature less than 120°F).
- The Rotational Limit Stop may need to be readjusted seasonally if the inlet water temperature changes. For example, during the winter, the cold water temperature is colder than it is during the summer which could result in varying outlet temperatures. A water temperature for a comfortable bath or shower is typically between 90°F - 110°F.

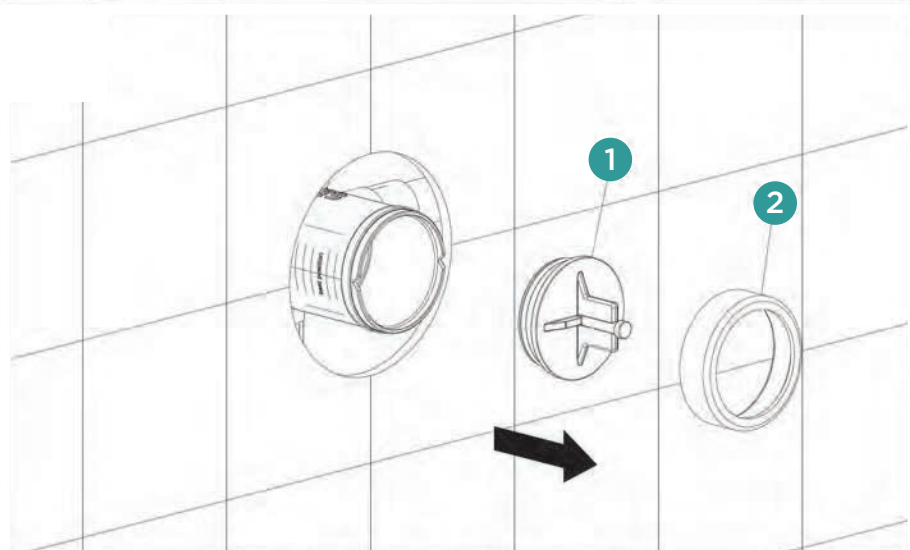
- Run the water so that the cold water is as cold as it will get and hot water is as hot as it will get. Place the handle on the stem (see page 8, step 4C) and rotate the handle counterclockwise until the handle stops.
- Place a thermometer in a plastic tumbler and hold in the water stream. If the water temperature is above 120°F, the Rotational Limit Stop must be repositioned clockwise to decrease valve outlet water temperature to be less than 120°F or to meet the requirements of your local plumbing codes.
- To adjust the temperature of the water coming out of the valve, pull the white Rotational Limit Stop (1) outward and rotate. Clockwise rotation will decrease the outlet temperature, counterclockwise rotation will increase the outlet temperature. Temperature change per tooth (notch) could be 4° - 16°F based on inlet water conditions. Repeat as necessary. When finished, make sure that the Rotational Limit Stop is fully retracted into the seated position. **WARNING: Do not take the Rotational Limit Stop apart.**

• MAKE SURE COLD WATER FLOWS FROM THE VALVE FIRST. MAKE SURE WATER FLOWING FROM THE VALVE AT THE HOTTEST FLOW POSSIBLE DOES NOT EXCEED 120°F OR THE MAXIMUM ALLOWED BY YOUR LOCAL PLUMBING CODE.



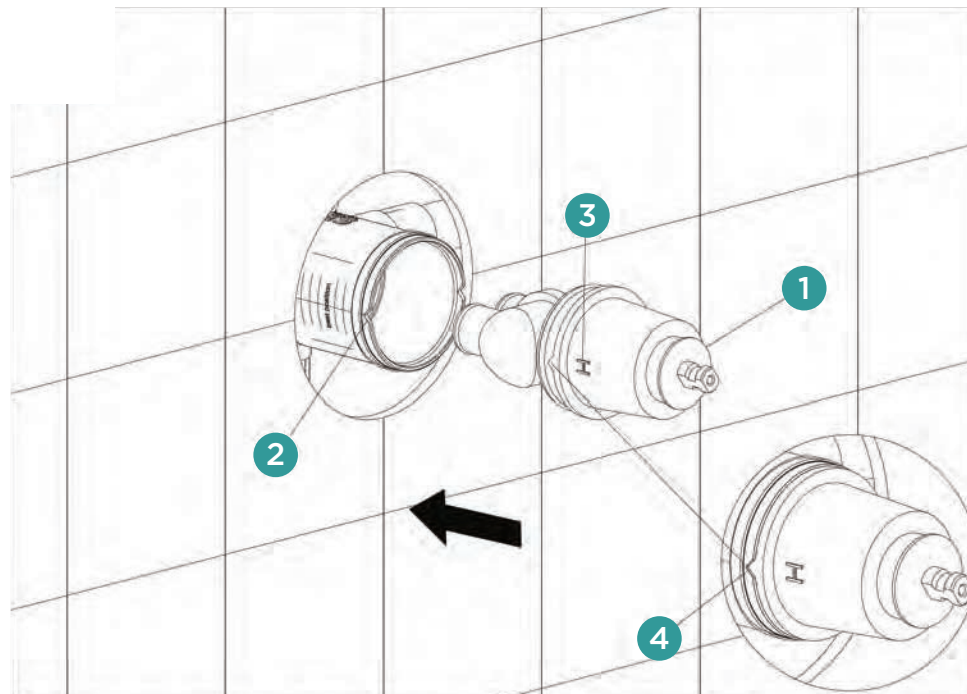
3. INSTALL THE TRIM AND HANDLE

A



1. Make sure to close the on/off check valve or the water supply system when remove the seal assembly
2. Unscrew the compression nut(2) anti-clockwise, then remove the seal plug. Note: remove the plug of shower outlet or the bathtub out to release the pressure of the body before tight the compression nut.

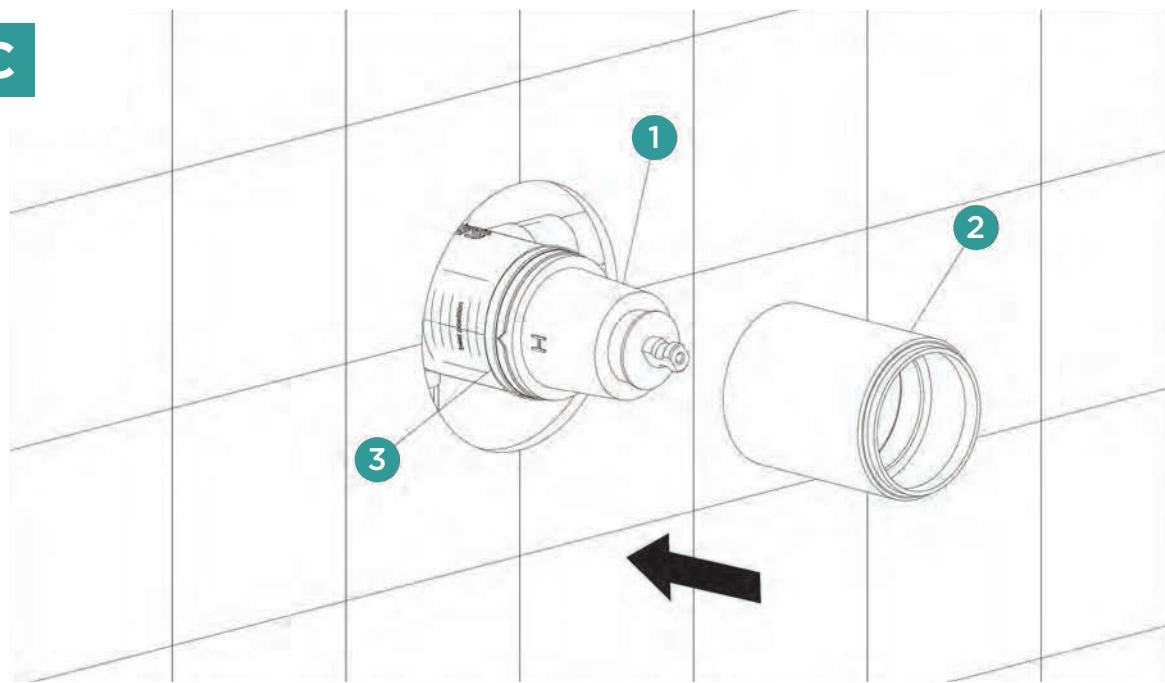
B



1. Apply appropriate lubricating oil around the O ring and insert the cartridge with "H" on the left side, make sure the V groove on the cartridge matches the V groove on the body.

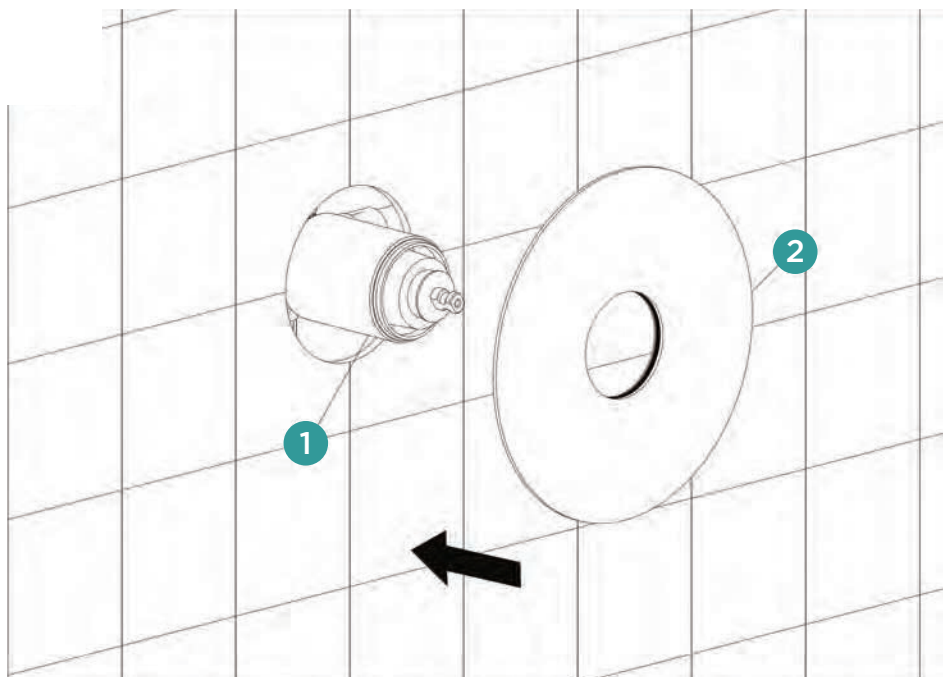


C



when the cartridge(1) is seated, insert the cartridge sleeve(2) onto the cartridge(3), then fix the cartridge into the body clockwise.

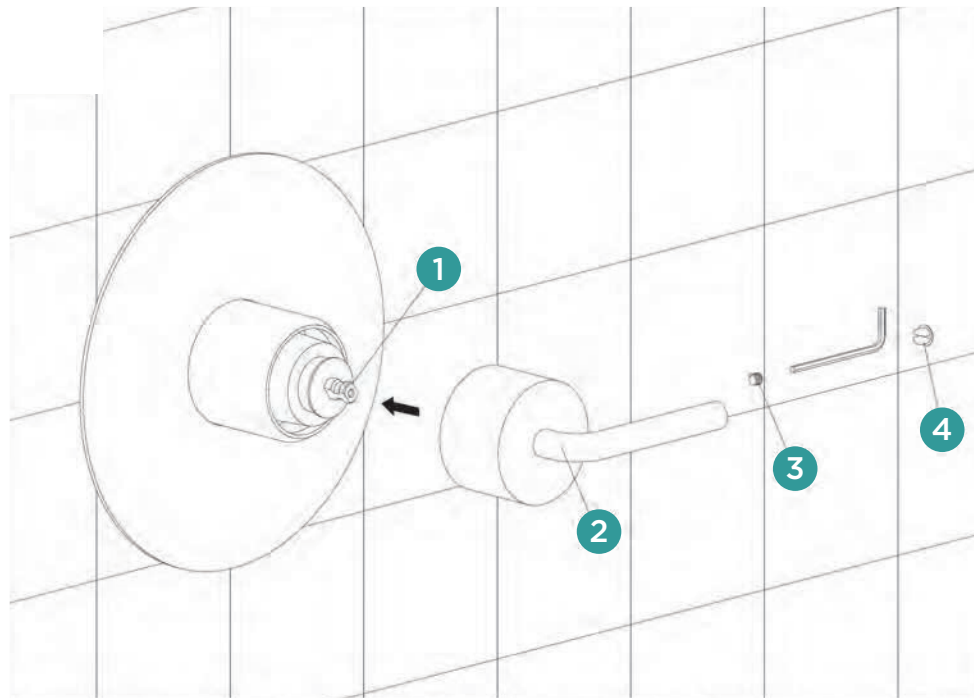
D



Insert the trim(2) onto the cartridge(1) against the wall. Note: Make sure to screw on the nut of the on/off check valve with a straight spanner to make the on/off check valve at a fully open position if the on/off check valve is closed in the previous step.

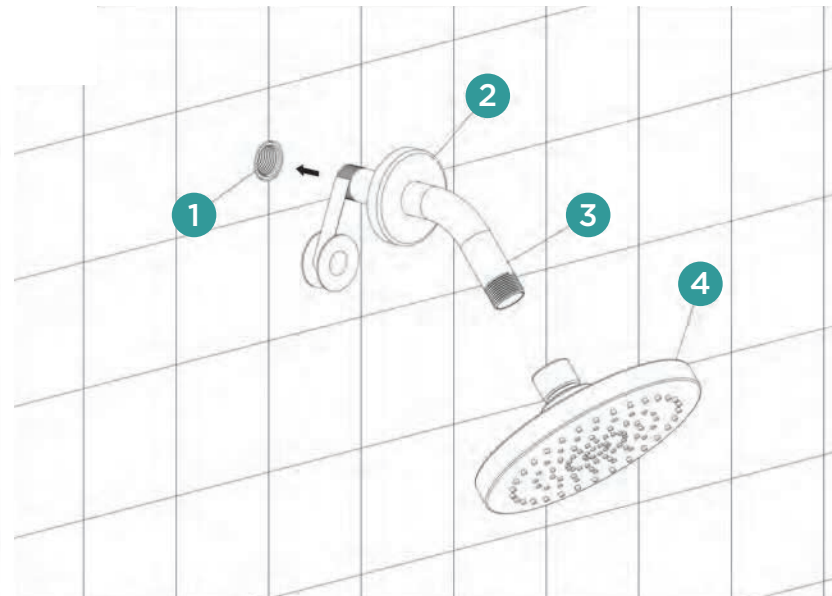


E



Assembly the handle onto the spindle of the cartridge, fix the screw(3) with hexagon wrench, inset the decorative plug into the screw

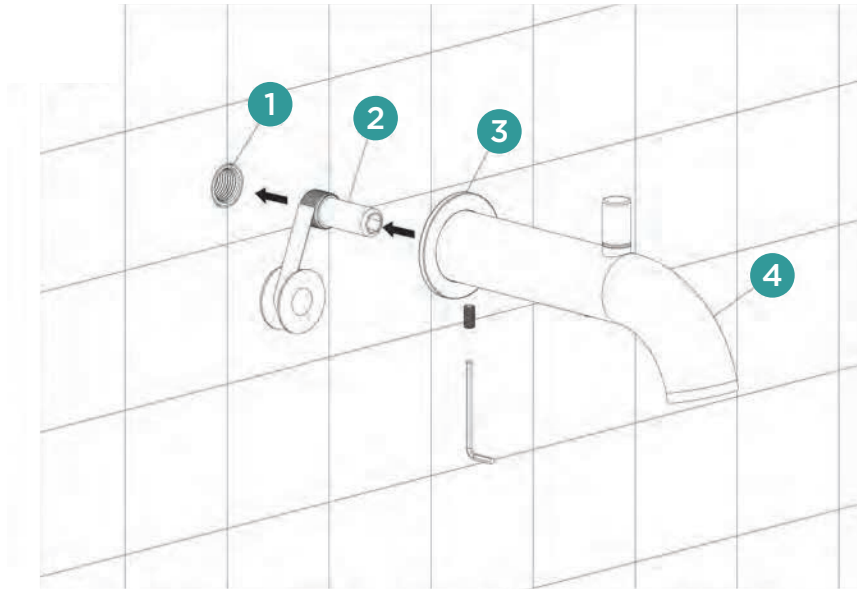
4. INSTALL THE SHOWER HEAD



1.Pass the flange through the shower arm, apply the tape on the shower arm,intall the shower arm on the shower outlet.Screw the shower head onto the shower arm and do not over tight the shower head



5. INSTALL THE BATHTUB SPOUT



1. Connect an adaptor (2) with tape onto the bathtub outlet (1) with a suitable tool.
2. Pass the flange (3) through the bathtub spout (4) and assemble the spout onto the adaptor, then adjust the spout direction and tighten the screws on the bottom of the tub spout with the distributed wrench.



206 WEMBLY ROAD - NEW WINDSOR, NY 12553
P: 718.602.6060 F: 718.963.2082 - E: INFO@FINEFIXTURES.COM
TOLL FREE: 1.877.8FIXTURES

FINEFIXTURES.COM

